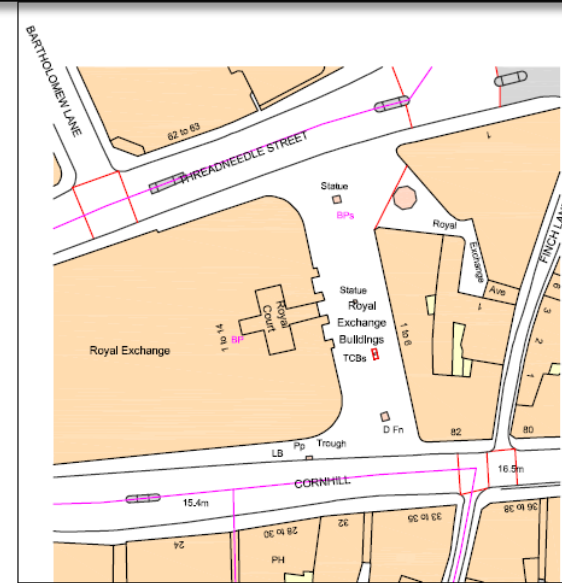


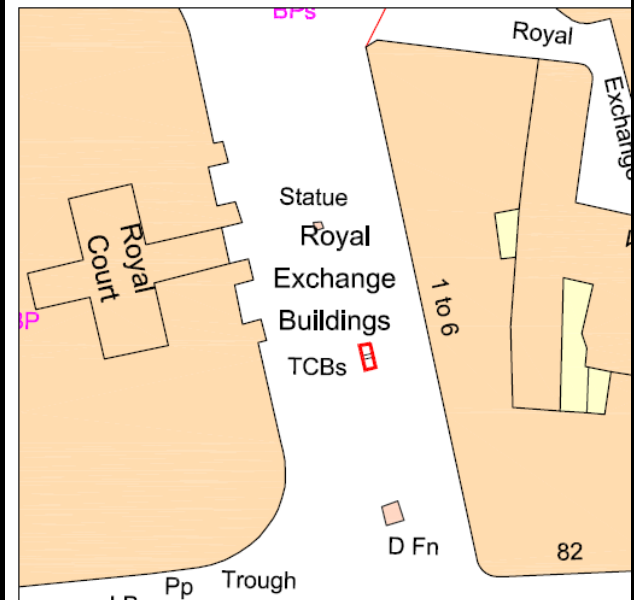
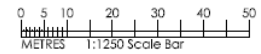
Planning & Transportation Committee

2nd June 2015

BT Telephone Boxes – Royal Exchange Buildings



Location Plan
1:1250



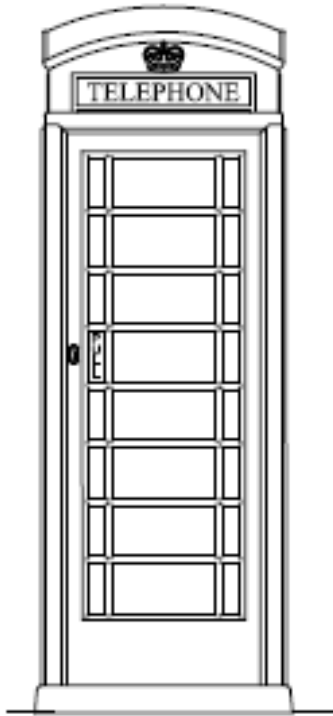
Site location plan

BT Telephone Boxes

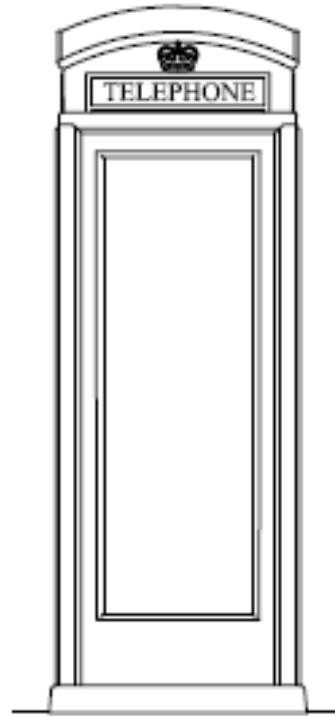


Example of converted telephone kiosk with modular unit

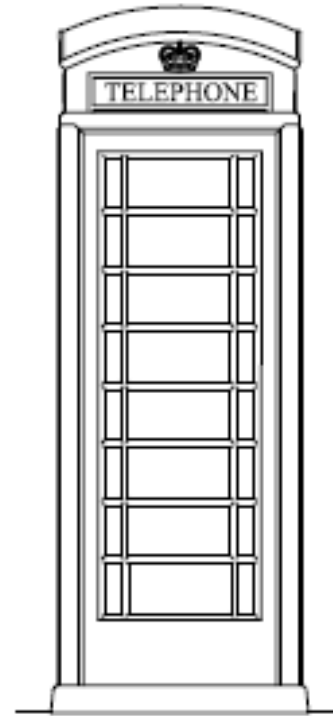
BT Telephone Boxes – Royal Exchange Buildings



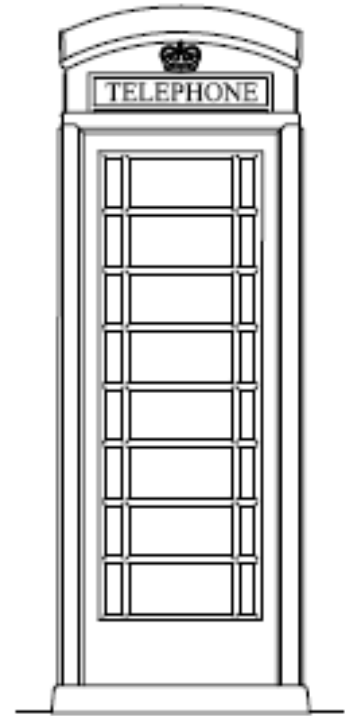
Existing Front Elevation
@ 1 : 20



Existing Rear Elevation
@ 1 : 20



Existing Side Elevation 1
@ 1 : 20

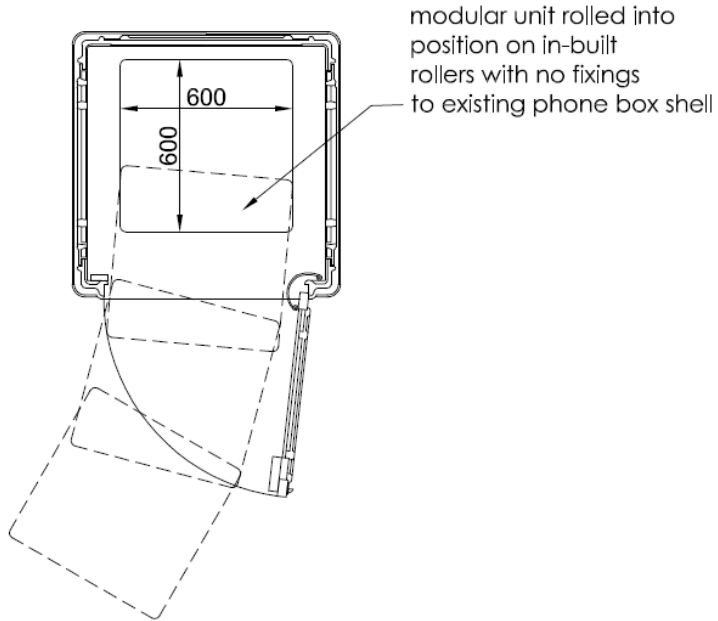


Existing Side Elevation 2
@ 1 : 20

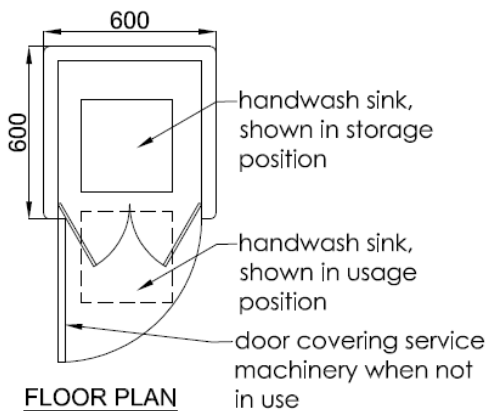


Existing elevations

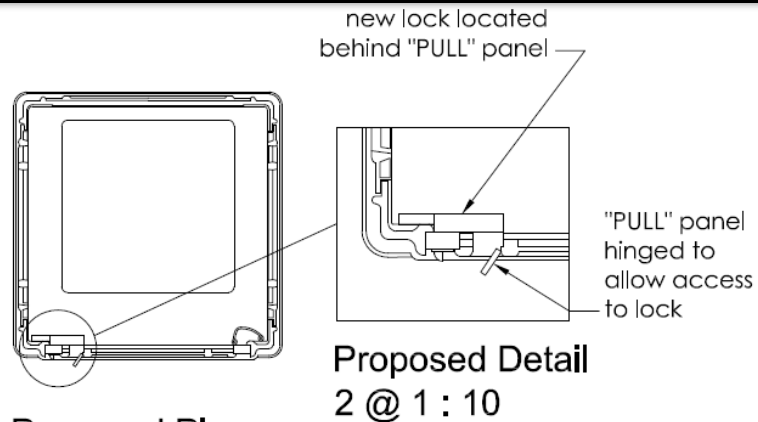
BT Telephone Boxes



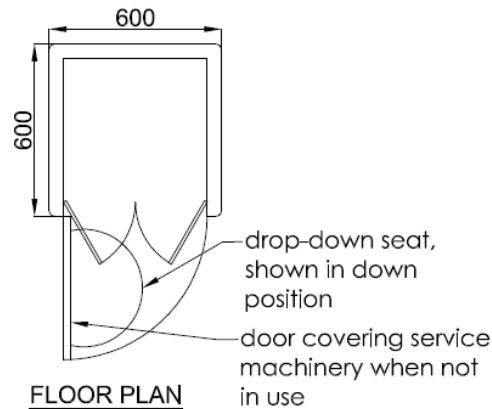
Proposed Plan Showing Door Open & Access for Modular Unit @ 1 : 20



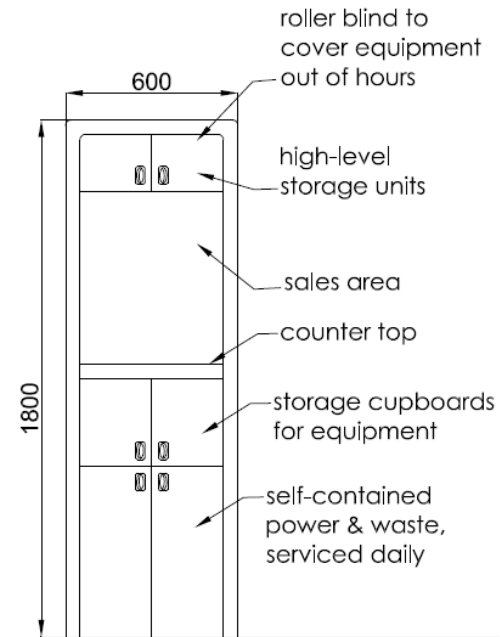
Typical Proposed Kiosk Plan 1 @ 1 : 20



Proposed Plan Showing Door Closed @ 1 : 20

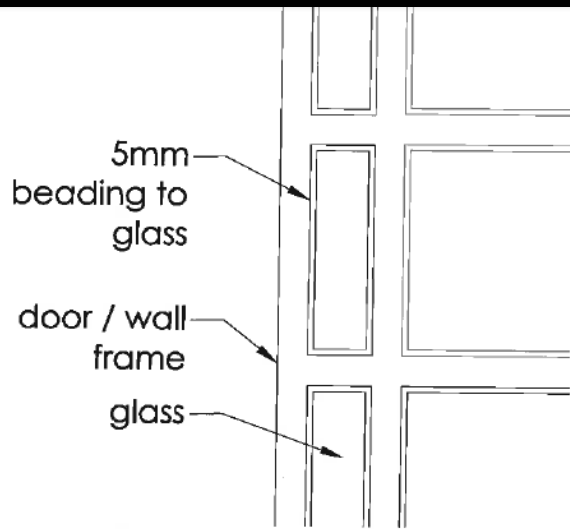


Typical Proposed Kiosk Plan 2 @ 1 : 20

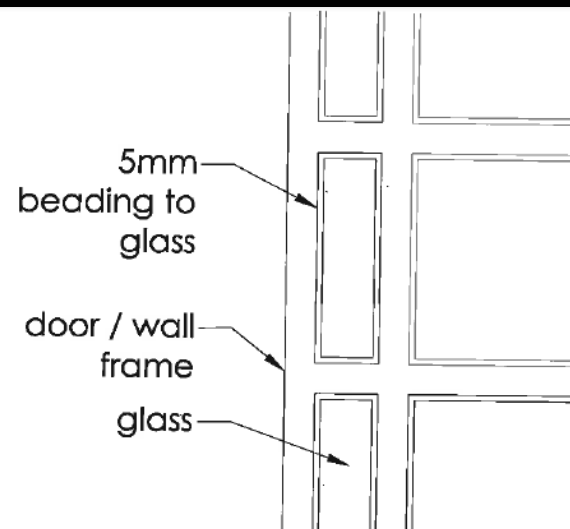


Typical Proposed Elevation of Modular Unit @ 1 : 20

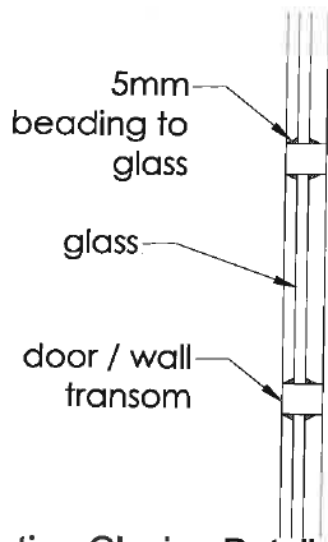
BT Telephone Boxes



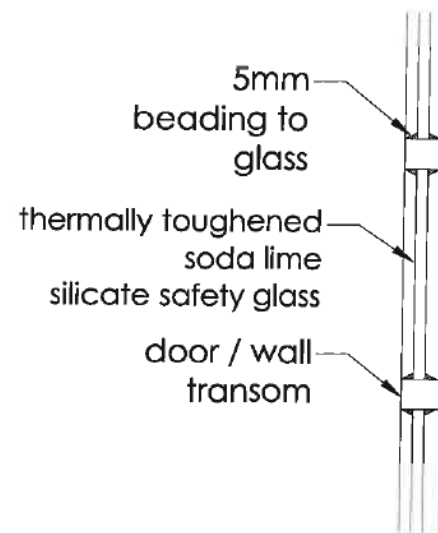
Existing Glazing Detail Elevation @ 1 : 20



Proposed Glazing Detail Elevation @ 1 : 20

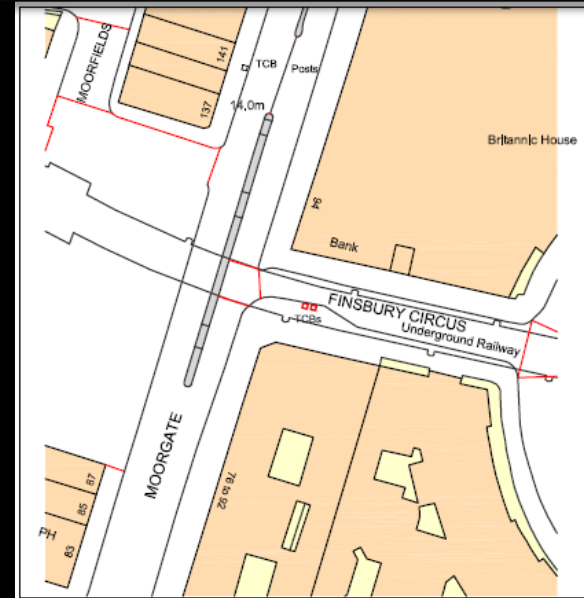


Existing Glazing Detail
Cross Section @ 1 : 20

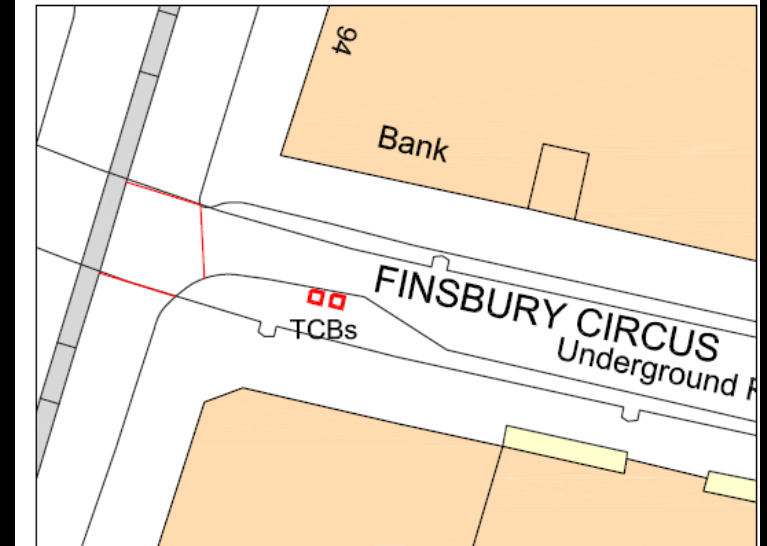
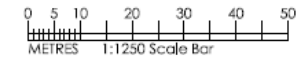


Proposed Glazing Detail
Cross Section @ 1 : 20

BT Telephone Boxes - 88-92 Moorgate

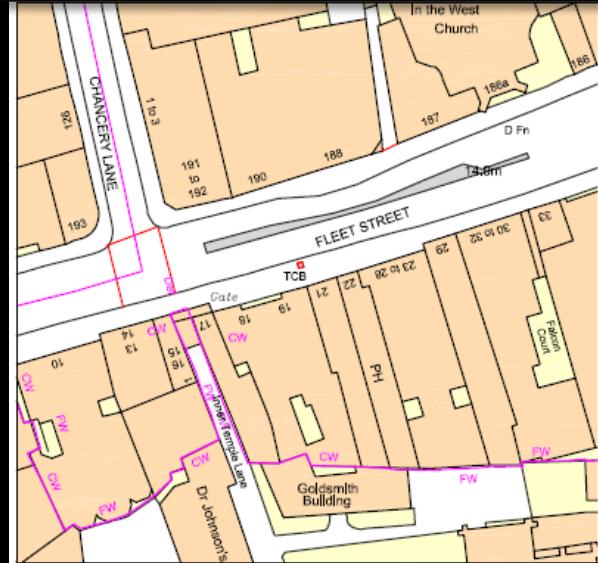


Location Plan
1:1250

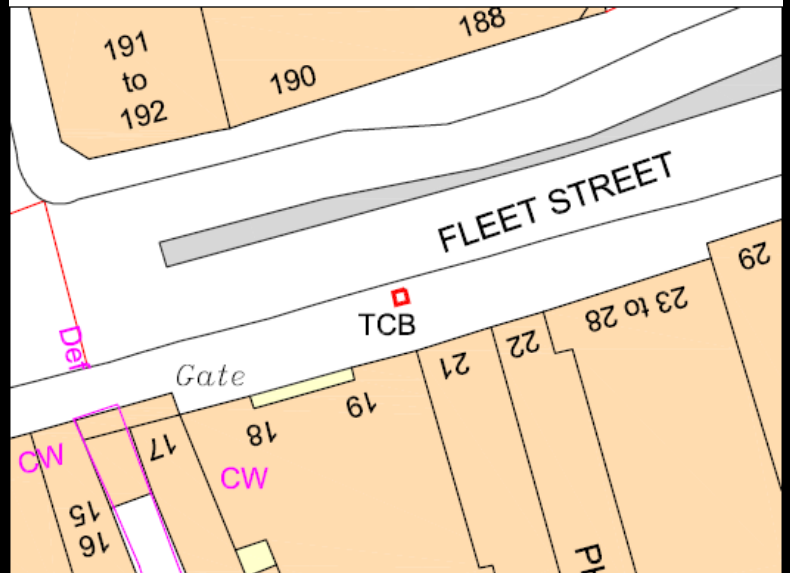


Site location plan

BT Telephone Boxes - 21 Fleet Street

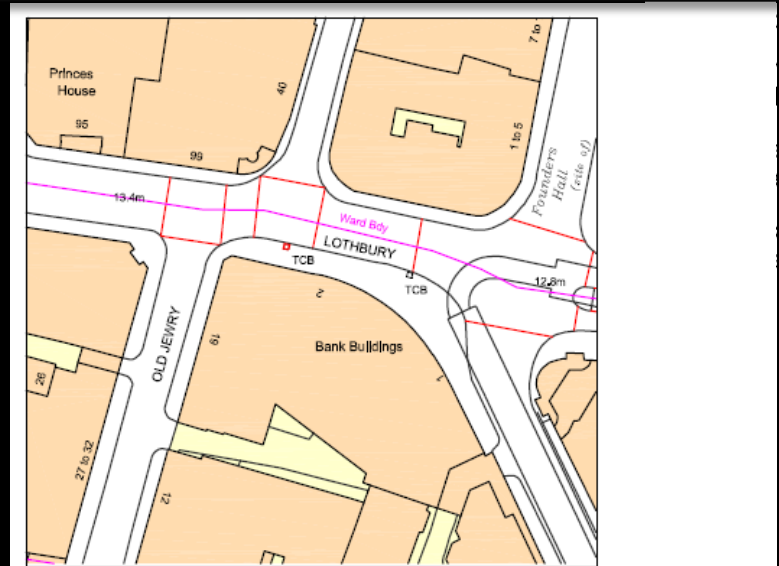


Location Plan
1:1250

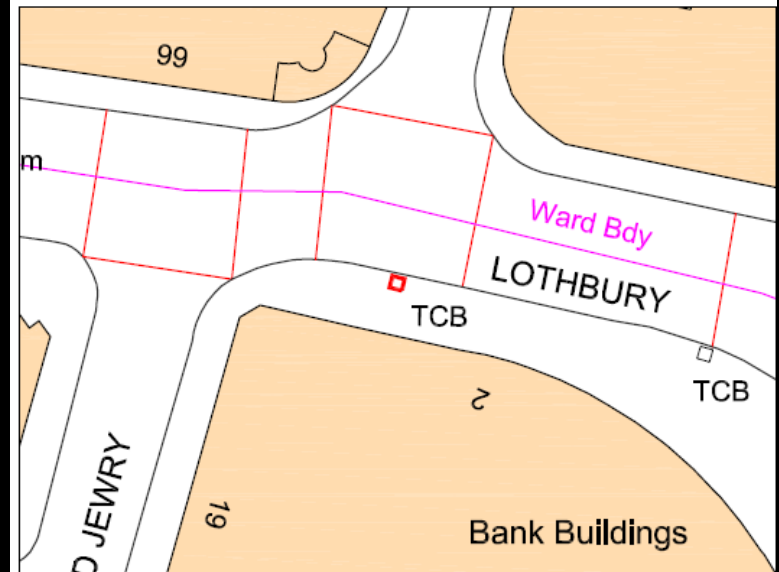
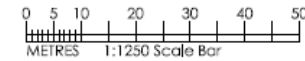


Site location plan

BT Telephone Boxes - 8 Lothbury



Location Plan
1:1250



Site location plan

Planning & Transportation Next Committee

23rd June 2015